

advanced FLOW engineering

**Instruction Manual P/N: 79-21004L**

Scorpion Grille without Forward Facing Camera

Make: **Jeep** Model: **Wrangler (JL)** Year: **2018-2020**

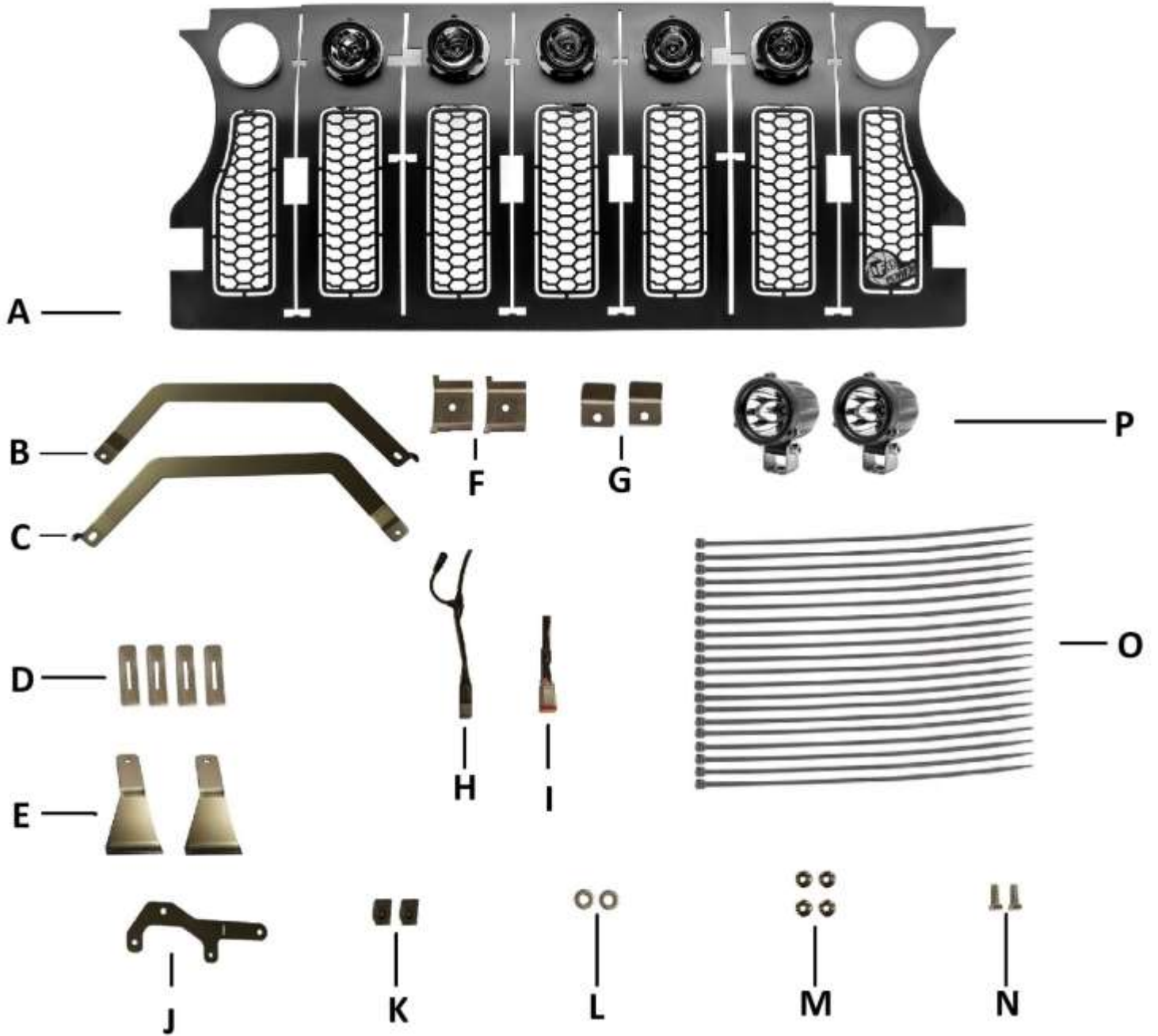
Make: **Jeep** Model: **Gladiator (JT)** Year: **2020**



- Please read the entire instruction before proceeding.
- Ensure all components listed are present.
- Ensure you have all necessary tools before proceeding.
- Disconnect the negative battery terminal before proceeding.
- If you are missing any of the components, call customer support 951 493 7100

Label	Qty.	Description
A	1	aFe Scorpion Grille
B	1	Bracket, Right Core Support
C	1	Bracket, Left Core Support
D	4	Spacers, Aluminum
E	2	Bracket, Horn
F	2	Retainer, Lower Grille
G	2	Retainer, Upper Grille
H	1	Harness, 7-Way Splitter
I	1	Harness, Power
J	1	Bracket, Air Inlet
K	2	Nuts, #10-24 Extruded U
L	2	Washers, #10
M	4	Nuts, #10-32 Flange
N	2	Bolts, #10-24 Hex Head
O	20	Ties, Cable
P	2	Lights, Low Profile LED

- Applications models vary. We recommend verifying fitment before beginning installation process.
- Images featured in the instruction documents may not always exactly match your grille.
- **Does Not fit: Gladiator Sport, Gladiator Sport S.**





**Note: Before you begin, use “Painter’s Tape” to apply a protective guard around the work areas. This will help protect the paint and finish of your vehicle.**

1. Disconnect the negative battery terminal.
2. Remove the six (6) push pin retainers from the top of the factory grille. Save the hardware for reinstallation.



3. Pull the top of the grille outward. At the bottom of the grille, there are retainer clips that need to be removed from the core support. Pull straight out and the clips release.



4. Remove the grille from the truck.



**Note: To prevent scratching painted parts use protective covering between the grille and a flat surface.**

5. Remove the four (4) factory Omix-Adam mounting clips. Save for reinstallation.
6. Remove the eight (8) screws that retain the factory inner grille to the factory outer grille. Save the hardware for reinstallation.



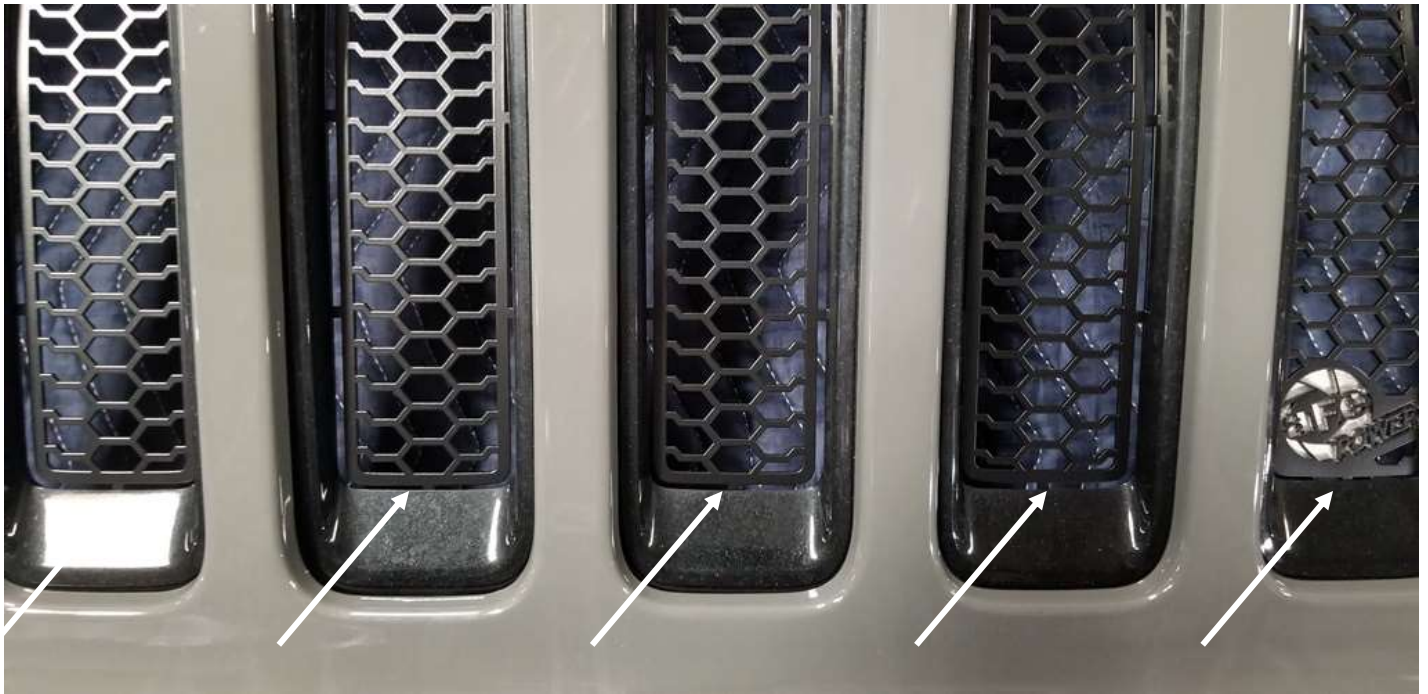
7. Remove the factory inner grille from the factory outer grille by releasing the ten (10) retaining clips. Discard the factory inner grille parts.



8. Install the supplied aFe Scorpion grille onto the factory outer grille.



9. Install two (2) of the factory screws removed in Step 6 into the outer grille. Do not tighten.



10. Make sure to align the aFe Scorpion grille to the factory outer grille. Tighten the two (2) screws installed in Step 9.



11. Install the supplied lower grille retainers using two (2) of the screws removed in Step 6 and tighten.



12. Install the supplied upper grille retainers using two (2) of the screws removed is Step 6 and tighten.



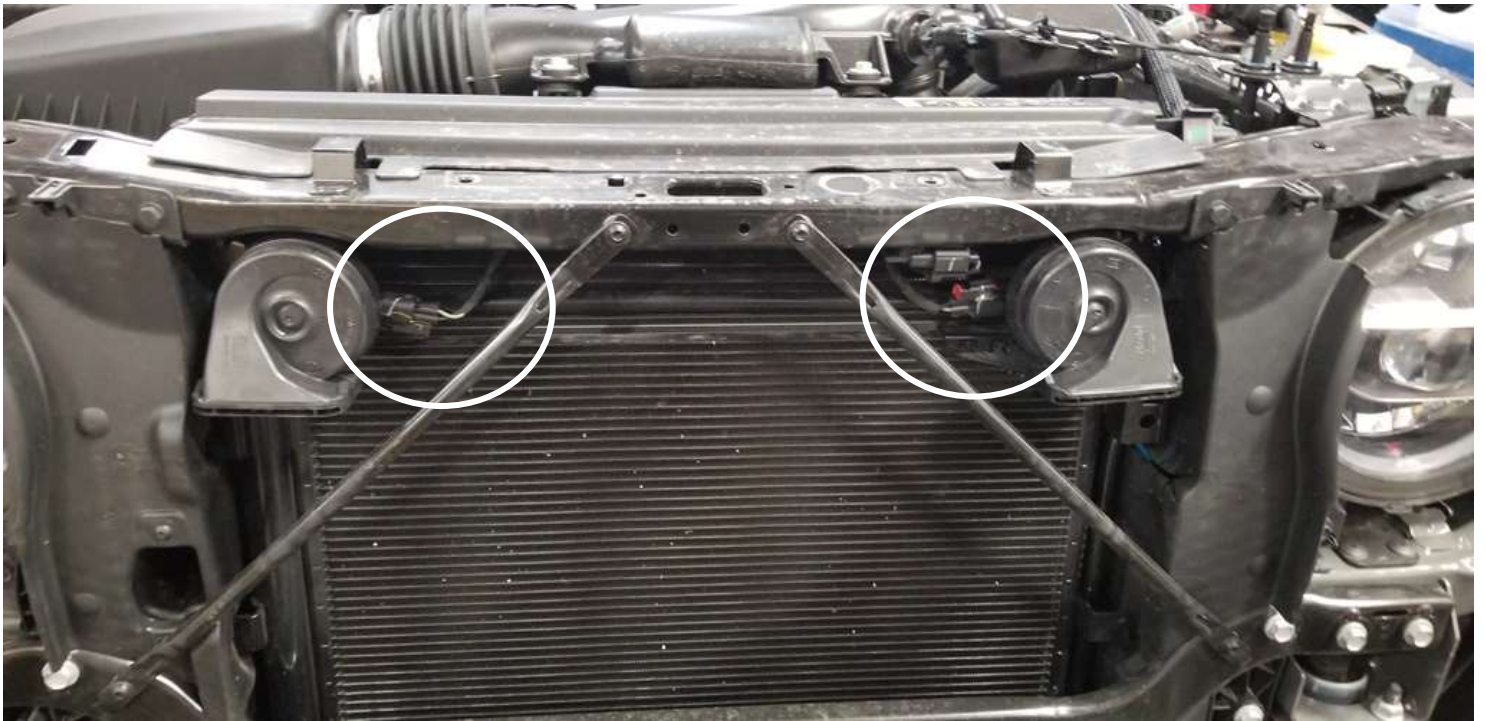
13. Install the four (4) supplied aluminum spacers over the factory retainers and secure the factory outer grille with the four (4) Omix-Adam mounting clips removed in Step 5.



14. Install the two (2) supplied low profile LED lights into the aFe Scorpion grille using two (2) supplied #10-24 extruded U nuts, two (2) supplied #10-24 hex head bolts, and two (2) supplied #10 washers. Center the lights in the aFe Scorpion grille and tighten.



**Note: This is what the aFe Scorpion grille assembly should look like after installing the lights.**



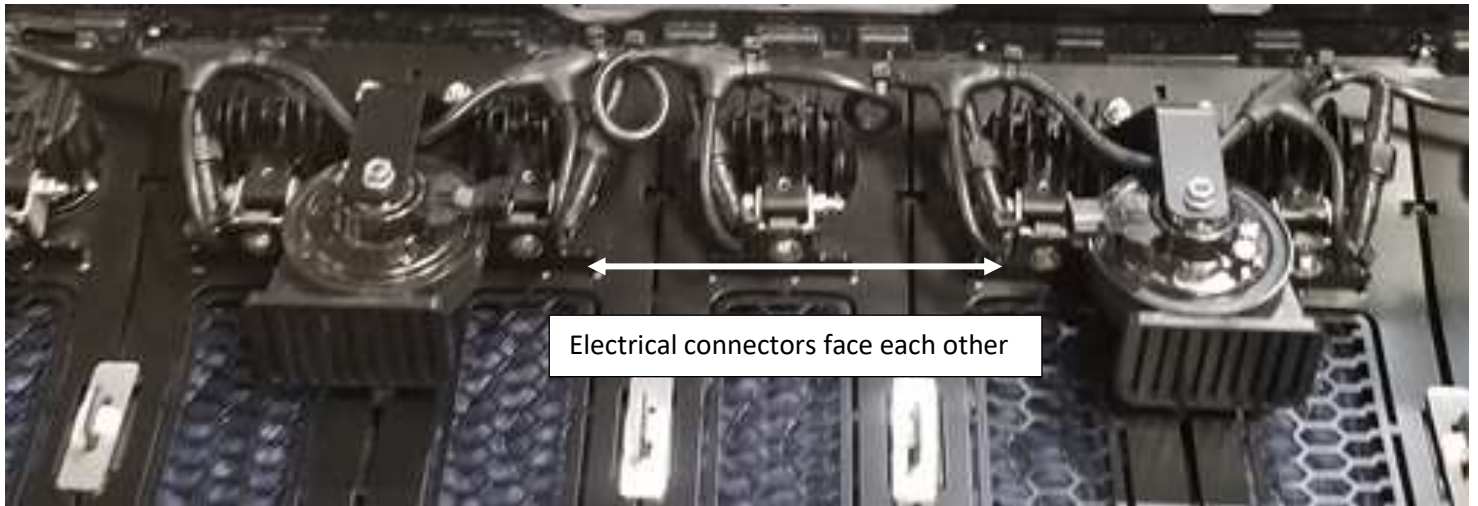
15. Disconnect the horn wiring connectors.



16. Remove the horns from their factory brackets.



17. Install the horns using the factory hardware onto the two (2) supplied horn brackets.



18. Install the horn assemblies onto the studs located at the top of the aFe Scorpion grille using four (4) supplied #10-32 flanged nuts. The horns electrical connectors need to be facing each other. Tighten all the hardware.



19. Under the plastic radiator cover, the horn wire runs along the core support. Remove the wire retaining push pins so that the wire hangs loose.



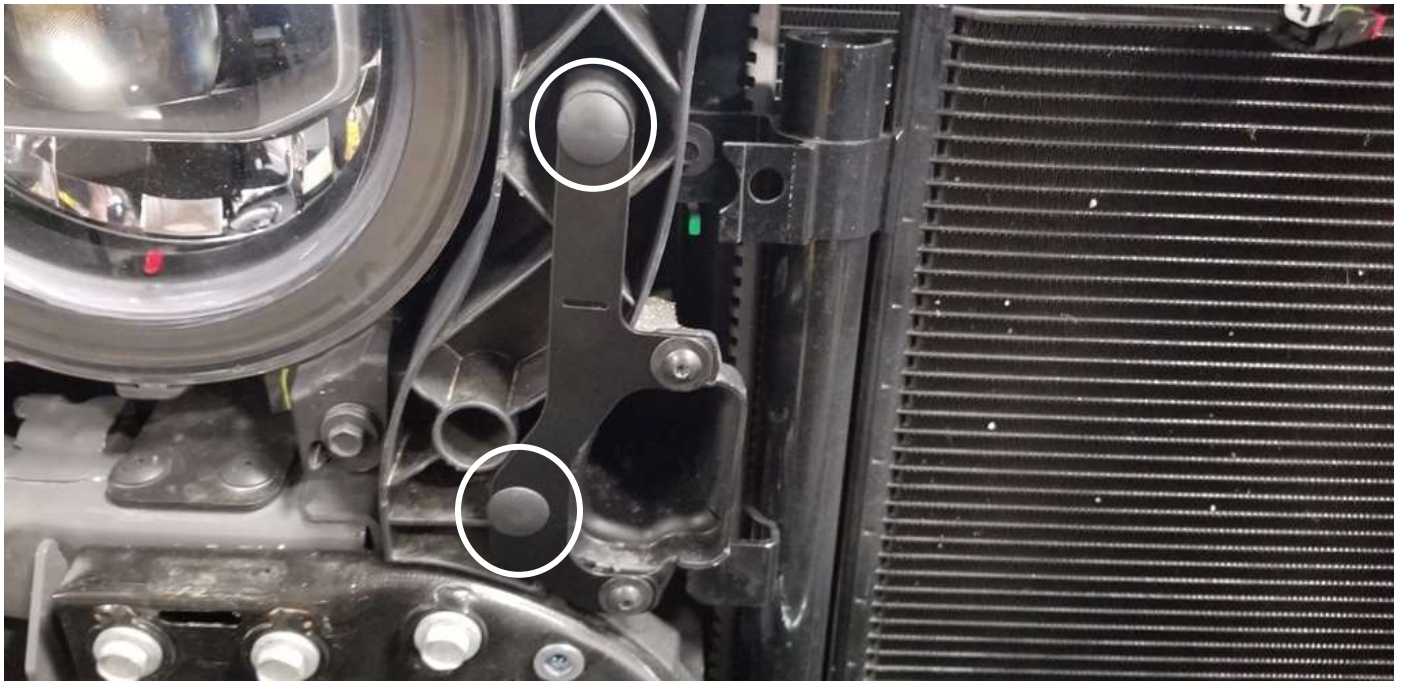
20. Remove the factory core supports. Save the hardware for reinstallation.



21. Remove the two (2) factory screws and the four (4) factory push pins. Remove the rubber covers from the vehicle. Save the hardware. Discard the covers.



22. Install the supplied air inlet bracket using two (2) factory screws removed in Step 21 and tighten to factory specifications.



23. Install two of the factory push pins removed in Step 21 into the air inlet bracket.



24. Install the supplied right core support bracket and the supplied left core support bracket onto the core support using the four (4) factory screws removed in Step 20. Make sure to line the tabs up on the brackets with the hole in the bottom core supports. Leave the top two (2) screws loose. Tighten the bottom two (2) screws to factory specifications.



25. Before installing the aFe Scorpion grille assembly, install the supplied power harness. The red wire goes on the positive battery terminal (+) and the black wire goes on the negative battery terminal (-). You will need to mount the switch inside the cab or to an available prewired switch. Use the ten (10) supplied 8" cable ties to secure the wiring loom to the vehicle.



26. Connect the supplied 7-Way splitter harness to the seven (7) LED lights. The Deutsch connector should route towards the passenger side of the vehicle.



**Note: Please read this instruction carefully prior to performing the installation of the aFe Scorpion grille assembly.**

**Note: Lay something soft that will not scratch across the front of the Jeep for the next step to help keep scratches off the painted parts.**

27. Remove the screws from the core support brackets left loose in Step 24. Move the aFe Scorpion grille assembly over to the front of the vehicle where it attaches to the vehicle. The 7-Way splitter wiring harness will go behind the core support brackets. Reinstall the two (2) screws into the core support brackets and tighten to factory specifications.



28. Plug the 7-Way splitter wiring harness into the power harness.
29. Plug the factory horn wiring into the horns on the aFe Scorpion grille.
30. Secure all the wiring with ten (10) cable ties. Secure the wiring from the outside LED lights to the LED light wiring that are inboard of them. This will allow the aFe Scorpion grille assembly to go back into its factory position without interference.



31. Install the aFe Scorpion grille assembly back onto the vehicle. Push on the bottom of the aFe Scorpion grille assembly to make sure all the clips are secured.
32. Install the six (6) push pin retainers that were removed in Step 2.



33. Remove all the painter's tape if any was applied.

34. Reconnect the negative battery cable.

35. Installation is now complete.

This Page Was Left Intentionally Blank



PLEASE CONSULT YOUR LOCAL AUTOMOTIVE ELECTRICAL PROFESSIONAL FOR INSTALLATION SERVICES AND ADVICE. aFe Power IS ONLY EQUIPPED TO PROVIDE BASIC TECHNICAL ASSISTANCE DUE TO THE DIVERSITY OF VEHICLES, VEHICLE OPTIONS & MODIFICATIONS AND LIGHTING.

CONFIGURATION OPTIONS AVAILABLE. aFe Power products cannot be held liable due to improper component installation and / or faulty wiring.

#### GENERAL GUIDELINES:

LED Lights & LED Light Bars operate at relatively high currents and should only be installed by qualified personnel with experience in switched / relayed high draw DC Circuits.

- Light Bars are designed for use only with standard 12v DC power systems
- Light Bars are for OFF-ROAD USE ONLY. Check your local laws & regulations regarding vehicle mounted lights.
- Some Light Bars are equipped with waterproof connectors while others are simply pig-tailed
- Red Wires = POSITIVE | Black Wires = NEGATIVE
- ALWAYS install your lights on a fused circuit. Basic fusing guidelines: maximum 5A for every 10" of LED Light Bar.

#### GENERAL USE, INSTALL AND ADJUSTMENT TIPS

NOTE 1: aFe Scorpion Grilles (with LED Light Bars installed), and LED Light Bars themselves are for OFF-ROAD USE ONLY.

NOTE 2: To adjust the angle of your light bars simply loosen the mounting hardware on either side of each Light Bar, rotate the Light Bar to adjust the angle, then tighten the hardware once the desired angle is achieved (please be careful not to over-tighten the mounting hardware or scratch the protective powder-coat finish). It is best to adjust the angle with the vehicle on level ground with the lights facing a wall, garage door or other solid barrier at approximately 25-30 feet.

NOTE 3: Please consult a qualified automotive electrical professional for light bar wiring installation.



## GRILLE CARE INFORMATION

aFe Power Scorpion Grilles are the finest in the industry but do require normal care. Wash regularly as you would when caring for your vehicles. Never use dish soap.

### GLOSS BLACK FINISH

aFe Power Scorpion Grilles with gloss black powder coated finish may be washed regularly as you would when caring for your vehicles finish using soap and water. aFe Power Scorpion Grilles should be waxed at the same time that you wax the vehicle. As a rule, anything you use to clean your vehicles painted surfaces can be used to clean and maintain your aFe Power Scorpion Grille. A gloss powder coated finish can be cared for in the same fashion that you would care for your vehicle's factory paint job. Never leave wet water spots as that may leave a blemish.

### MATTE BLACK FINISH

Paint warranty applies to defects in material and / or workmanship, it does not cover the matte finish surface appearance. To enjoy the matte appearance for many years to come, please follow these owner care and maintenance tips. Get a no-shine matte car wash soap that uses no fillers, no silicone, and won't strip your matte paint of its layer of protection. Do not use wax, detail spray, armor all®, or any products made for normal paint. Use only products specifically developed for matte finish paint. Do not use products that are even mildly abrasive, such as polishes, glazes, or rubbing compounds. do not use mechanical cleaners or polishers. Do not use terrycloth, cloth, or paper towels. Do not rub the finish vigorously, this will burnish the paint finish, causing a permanent shiny spot. Shiny spots cannot be removed.

Do not use commercial car wash facilities or their shine enhancement products. Most car wash brushes, large mechanized "towels," and shine enhancement products can damage matte paint. Remove foreign substances such as insect remains, tar, and road debris using a soft applicator and a mild solvent; saturate and soak area before cleaning—rub lightly.

Hand-wash with a soft wash mitt and mild cleaning product safe for matte paint. Use microfiber cleaning cloths with alcohol-based window cleaner for basic surface clean-up.

---

### aFe Scorpion Grilles product warranty:

aFe Power warrants its grille products to be free from defects in material and workmanship for the lifetime of the grille. aFe Power products warrants the finish of its grille products for a 3-year period beginning at the time of sale to the end user. These warranties are limited warranties and do not cover abuse, modification or improper installation nor do they cover finish failure caused by caustic cleaning agents, road salts or other chemicals. aFe Power reserves the right to repair or replace a defective product at its sole discretion. Any aFe Power product must be returned to aFe Power for warranty consideration and must be returned at the customer's expense. In the event that the product is deemed to be defective, the repaired or replaced item will be returned via a surface shipping method to the customer at aFe Power's expense. No provision is made for any labor, rental car or other costs incurred by the failure of its products.



advanced FLOW engineering, inc.  
252 Granite Street Corona, CA 92879  
TEL: 951.493.7100 • TECH: 951.493.7100 x23  
E-Mail: Tech@aFepower.com